

New in the range

# Optimum performance for every transmission.

Transmission oil pans for  
automatic and dual-clutch  
transmissions



purifying our planet

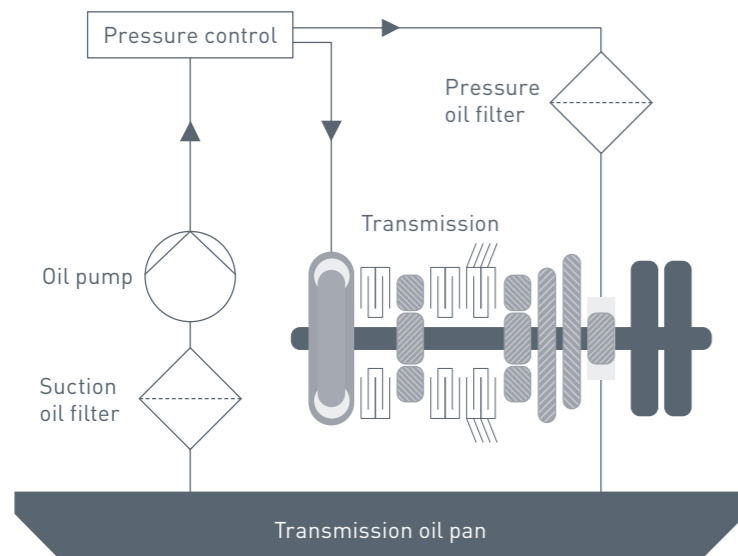
# What are transmission oil pans?

Transmission oil pans play a crucial role in the proper functioning of a transmission. They serve as a reservoir for the transmission oil, which is essential for lubricating and cooling the transmission. The warm and returning oil is defoamed and cooled in the sump, which increases the service life of the transmission.

The oil pan is made of either sheet metal or plastic and is often equipped with ribs for stabilization and cooling. It contains important filter elements that separate the finest particles from the transmission oil in order to protect important transmission control components such as valves. These particles are caused by metal abrasion due to gear wear and the abrasion of the clutch linings in dual-clutch

transmissions, which can shorten the service life of the transmission. Magnets can also be installed in the transmission oil pan, which remove large metal particles from the oil.

Suction oil filters, which are compact flat filters in a solid plastic housing located directly in the oil pan, are common in automatic transmissions. To change a suction filter, the oil is drained via the drain plug and the oil pan is unscrewed from below. Pressure oil filters, on the other hand, are found in manual transmissions as well as in CVT or dual-clutch transmissions, often as a supplement to suction filters for high demands on oil purity.



# Transmission oil pans in original equipment quality.

We use our expertise as an original equipment manufacturer for a wide range of product groups to now also offer these in the independent aftermarket. Naturally in the usual OE quality and with the best possible service for our customers!

## System

Transmission oil filtration (suction filtration)

## Application

ZF 3rd generation 8HP transmission all-wheel-drive vehicles from Audi, selected BMW models with automatic transmission from the 3 series onwards

## Properties

- Oil pan with integrated transmission oil filter
- Drain plug for easy servicing
- Meets the high requirements for flatness and position tolerances
- Improved cold start behavior
- High filter efficiency

## IAM Type

HG105H D836



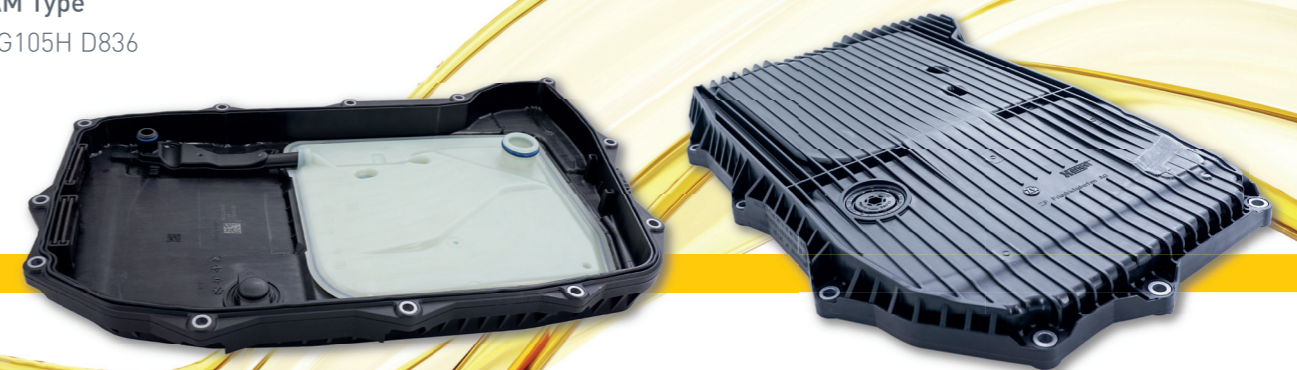
HENGST.garage

Watch the YouTube video about the new products in the HENGST.garage.

Kai presents our new transmission oil pans there.



SCAN ME



# Optimum performance and protection. Your customer benefits at a glance:

## Advantages:

- Mounting material included in the scope of delivery
- Many service seals are already pre-assembled to make installation easier
- Replace the oil pan every time you change the transmission oil to avoid subsequent repairs and problems when reinstalling it
- Product range covers 80 % of the relevant European vehicles and is constantly being extended
- High delivery performance for all products
- Extensive expertise thanks to in-house production of oil pans
- With the ENGEL Award for the production of plastic injection molded parts
- Everything from a single source for the oil circuit
- Hengst as an established brand in the aftermarket

# Transmission oil pans for automatic and dual-clutch transmissions.

## Product range overview

HENGST Type	GTIN Code	Application	OE number	Competition	PU Single   Master   Palette
HG102H D833	4030776087055	AUDI A1 (8X1, 8XK) AUDI A3 (8P1) AUDI A3 Cabriolet (8P7) VOLKSWAGEN GOLF VII Variant (BA5, BV5)	0AM 325 219 C	VAICO V10-3545	1   1   135
HG103H D834	4030776087109	BMW 3 (G20, G80, G28) BMW 5 (G30, F90) BMW X3 (G01, F97) BMW X5 (G05, F95)	24 11 8 632 189	VAICO V20-3478 ZF Parts 1102.298.018	1   1   46
HG104H D835	4030776087024	AUDI A4 B9 (8W2, 8WC) AUDI A5 (F53, F5P) AUDI A6 C8 (4A2) AUDI Q5 (8RB)	0CK 321 359 M 0CK 321 359 N	VAICO V10-7368	1   1   94
HG105H D836	4030776087123	AUDI A4 B9 (8W2, 8WC) AUDI A5 (F53, F5P) AUDI A6 C4 (4A2) PORSCHE CAYENNE (9YA)	0D5 398 009 A 0D5 398 009 B PAB 398 009 01	VAICO V10-4350 ZF Parts 1103.298.112	1   1   62

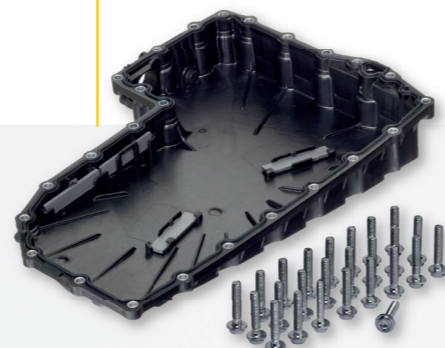
HG102H D833



HG103H D834



HG104H D835



HG105H D836



HG106H D837



HG107H D838

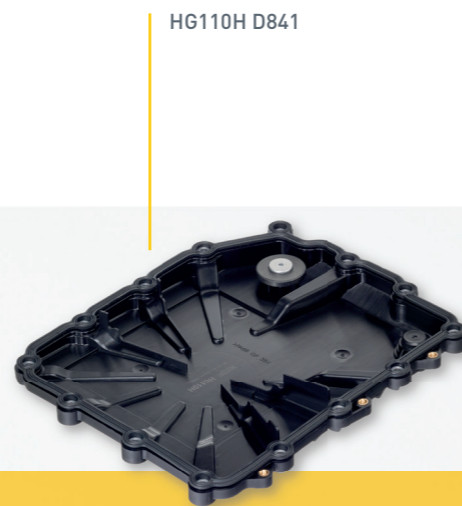
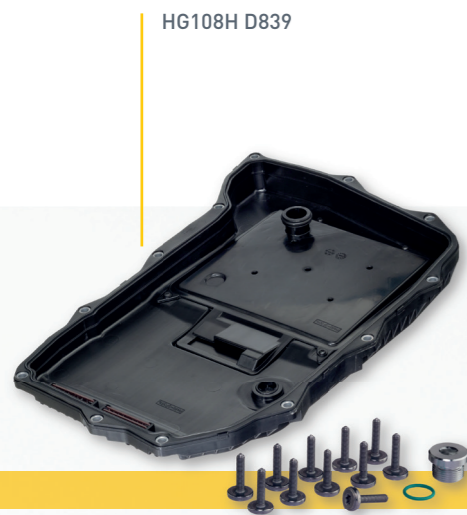


All information without guarantee.  
The table below shows an excerpt from our constantly growing range of products. For more detailed information on the above vehicle classifications and other vehicle applications, please visit our online catalog: [www.hengst.com/online-catalog](http://www.hengst.com/online-catalog)

## Product range overview

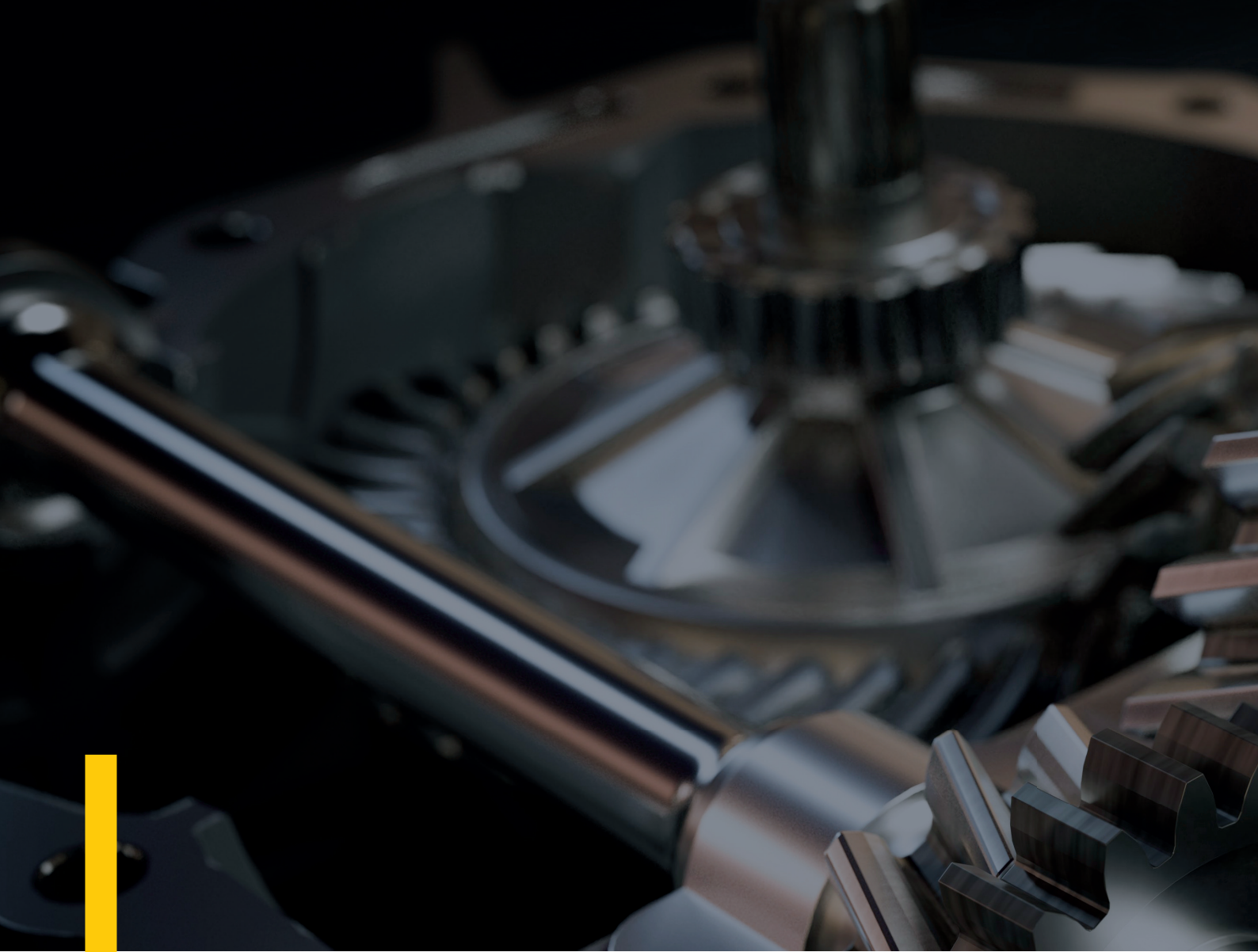
HENGST Type	GTIN Code	Application	OE number	Competition	PU Single   Master   Palette
HG106H D837	4030776087086	AUDI A4 B8 (8K2) AUDI A5 (8T3) AUDI A6 C7 (4G2, 4GC) AUDI Q5 (8RB)	0B5 321 361 B 0B5 321 361 C	VAICO V10-3498	1   1   91
HG107H D838	4030776087147	FORD GALAXY II (WA6) FORD S-MAX (WA6) VOLVO S60 II (134) VOLVO XC60 I SUV (156)	30751645 4 596 946 5G13-7H395-AA	VAICO V25-1143	1   1   135
HG108H D839	4030776087031	AUDI A4 B9 (8W2, 8WC) AUDI A5 (F53, F5P) AUDI Q5 (FYB, FYG) AUDI Q7 (4MB, 4MG)	0D5 398 009 0D5 398 010	MEYLE 100 135 0130/SK VAICO V10-4360 ZF Parts 1103.298.006	1   1   62
HG109H D840	4030776087130	AUDI A4 B7 (8EC) AUDI A6 C6 (4F2) AUDI A8 D3 (4E2, 4E8) VOLKSWAGEN PHAETON (3D1, 3D2, 3D3, 3D4, 3D6, 3D7, 3D8, 3D9)	09L 321 359 A	VAICO V10-5378	1   1   62

HENGST Type	GTIN Code	Application	OE number	Competition	PU Single   Master   Palette
HG110H D841	4030776086607	BMW 3 (F30, F80)	23 01 8 441 997 28 10 7 842 385 28 10 8 070 791	VAICO V20-3257	1   1   94
HG111H D842	4030776087079	PORSCHE 911 (991) PORSCHE 911 (997) PORSCHE BOXSTER (981)	9 P13 213 59 9G1 321 025 01	VAICO V45-0111 ZF Parts 1079 120 804	1   1   72
HG114H D845	4030776087048	MERCEDES-BENZ AMG GT (X290) MERCEDES-BENZ C-KLASSE (W205) MERCEDES-BENZ CLS (C218) MERCEDES-BENZ V-KLASSE (W447)	A 725 270 37 07 A 725 270 87 04 A 725 270 88 04	FEBI BILSTEIN 181722 MEYLE 014 325 1000 VAICO V30-2377-BEK	1   1   72



purifying our planet

All information without guarantee.  
The table below shows an excerpt from our constantly growing range of products. For more detailed information on the above vehicle classifications and other vehicle applications, please visit our online catalog: [www.hengst.com/online-catalog](http://www.hengst.com/online-catalog)



Do you have further questions or are you looking for the right spare parts? Just send an e-mail to [aftermarket@hengst.com](mailto:aftermarket@hengst.com) - we will be happy to contact you!



Click here to go directly to the online catalog

**purifying our planet**



### **Hengst SE**

Nienkamp 55-85 | 48147 Münster | Germany  
+49 251 20202-0 | [aftermarket@hengst.com](mailto:aftermarket@hengst.com)

[hengst.com](http://hengst.com)

**Hengst**  
FILTRATION